

# Steel Swing H:2.0m, Anti-wrap


KSW92002

**KOMPAN**  
Let's play



Item no. KSW92002-0910

## General Product Information

Dimensions LxWxH	360x161x205 cm
Age group	2+
Play capacity (users)	2
Colour options	



Of all the play activities, swinging high is a favorite: children love it, as it is extremely thrilling and can be done individually and together. This swing set supports the play joy of doing the same thing at the same time, featuring two similar swing seats. The seats are shaped with a slight curve in the middle, to facilitate the secure seat position of a wide age

span. The Anti-Wrap system makes the play go on and on, as the seat will never be wrapped around the upper beam. Swinging apart from being great fun, trains the children's ABC: agility, balance and coordination as well as their spatial awareness. These motor skills are crucial to being able to judge distances in traffic safely. Swings allow for standing sitting, laying

– and not least jumping off. Apart from the motor skills training, this trains the arm, leg and core muscles. The jumping off builds bone density – the majority of which is built up during the first years of life.



Data is subject to change without prior notice.

# Steel Swing H:2.0m, Anti-wrap

KSW92002



Vertical posts of hot dip galvanised steel or powder coated on pre-galvanised steel base. Swing frame end connectors and crossbeam of hot dip galvanised steel or powder coated on hot dip galvanised steel base.



KOMPAN heavy duty designed swing hangers of stainless steel with anti-twist function. The hangers are attached to the cross beam on a welded bracket with two bolts, The bearings are embedded with silicone lubricant and needs no further lubrication.



KOMPAN designed the bird's nest seats to be light in weight and in compliance with global safety standards. The soft, shock absorbent bumpers with non-slip surface makes the swing seat extremely user friendly. Choose between a rope version with reinforced PA rope or a moulded PE version. Both equipped with soft rubber bumpers.



The standard seats of KOMPAN swings is engineered for maximum safety and durability. The seat two component seat with a PP inner core and outside rubber is produced in one operation. The seats are available with swing chains of either hot dip galvanised steel or stainless steel for all swings heights.



The swing hangers are made of high quality UV-stabilised nylon (PA6) housing with integrated lifetime sealed ball bearings. The height adjustable chains are fixed by a stainless steel hook with theft proof snake-eye bolt in a turn able anti twist housing. All seats with two chain fixation are available with either standard or anti-wrap suspension.



Unique designed seats for toddlers: Baby seat of rubber. Toddler seat of PUR with four chain suspension for easy movement. Cradle seat. You & Me swing seat for adult/child or children of different ages to swing together while facing each other.

Item no. KSW92002-0910

### Installation Information

Max. fall height	120 cm
Safety surfacing area	21,5 m <sup>2</sup>
Numbers of installers (persons)	2
Total installation time	4.1
Excavation volume	1,12 m <sup>3</sup>
Concrete volume	0,00 m <sup>3</sup>
Footing depth (standard)	90 cm
Shipment weight	161 kg
Anchoring options	In-ground ✓

### Warranty Information

Steel post HDG	Lifetime
Swing seat	10 years
Swing hangers	5 years
Chains	10 years
Spare parts guaranteed	10 years

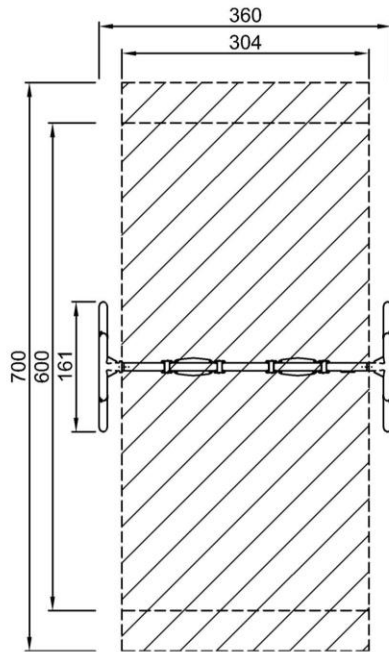


# Steel Swing H:2.0m, Anti-wrap

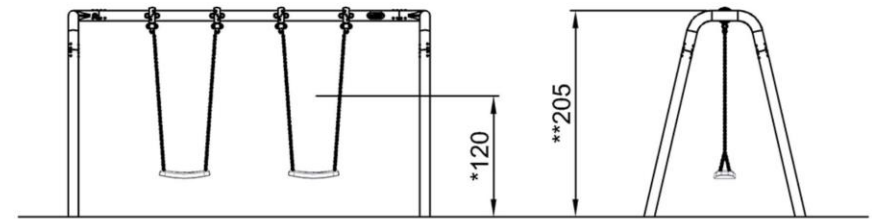
KSW92002

\* Max fall height | \*\* Total height | \*\*\* Safety surfacing area

\* Max fall height | \*\* Total height



KSW92002  
\*120cm  
\*\*205cm  
\*\*\*21.5m<sup>2</sup>



KSW92002  
1:100

[Click to see 1:100 ratio TOP VIEW](#)

# Steel Swing H:2.0m, Anti-wrap

KSW92002



## Two single swings

**Physical:** balance, coordination and spatial awareness are developed when swinging. All necessary when judging distances and navigating. The swinging movement trains the arm, leg and core muscles, and strengthens the bone density when jumping off.

**Social-Emotional:** parallel play invites cooperation and consideration.

**Cognitive:** cause and effect understanding, managing rhythm and thinking skills for younger children when swinging. Rules games for bigger children, when swinging in same or different rhythm.



# Steel Swing H:2.0m, Anti-wrap

KSW92002



**PHYSICAL**  
Joy of movement:  
motor skills, muscle, cardio  
and bone density



**SOCIAL-EMOTIONAL**  
Joy of being together:  
teamwork, tolerance and  
sense of belonging



**COGNITIVE**  
Joy of learning:  
curiosity, understanding of causal  
relationships and knowledge of the world



**CREATIVE**  
Joy of creating:  
co-creation and experimenting  
with materials



**BALANCE**  
To balance is to stay upright when walking or standing on a surface that makes this challenging (e.g. a wobbly, inclined, or narrow surface).



**HANG IN ARMS**  
To hang in arms is the act of carrying the body with the hands or arms, possibly to traverse to another platform or play item.



**SENSORY**  
To sense is the act of taking in information with the sensory system: seeing, feeling, hearing or sensing with the body.



**BOUNCE**  
To bounce is the act of bouncing on a responsive, flexible, elastic or tensile surface.



**JUMP**  
To jump is the act of jumping up or down on a hard surface.



**SLIDE**  
To slide is the act of moving fast downwards seated on a slide.



**CLIMB**  
To climb is the act of moving upwards, cross-coordinating arms and legs, on a vertical or inclined surface or net.



**PULL**  
To pull is the act of pulling an item towards you or you towards an item with one or both hands, or possibly using the entire body.



**SOCIALIZE**  
To socialize is the act of meeting, communicating or cooperating in an activity that stimulates and facilitates social interaction.



**CONSTRUCT**  
To construct is the act of creating new patterns, shifting items or materials to new positions or constructing with materials that can be transformed or manipulated.



**PUSH**  
To push is the act of pushing an item away from you with one or both hands, possibly with the entire body.



**SPIN**  
To spin involves a fast, repeated horizontal or vertical turn of the body on a piece of equipment that facilitates the movement.



**CRAWL**  
To crawl is the movement of moving forwards or backwards, cross-coordinating arms and legs, on a horizontal or slightly inclined surface.



**ROCK**  
To rock is the action of rocking back and forth, or sideways, on e.g. a piece of spring equipment.



**SWAY**  
To sway is the movement of swaying back and forth, or around, lying, seated or possibly standing, in a pendulant or circular movement, e.g. on a hammock or on a rope.



**DRAMATIC PLAY**  
Dramatic play is motivated through play items that stage a frame, place or environment for acting out make believe or role play scenarios.



**ROTATE**  
To rotate involves a vertical or horizontal slower paced turn of the body, facilitated by a piece of equipment.



**SWING**  
To swing is the movement of swinging back and forth, or in circular movement, seated, standing or lying, in an unhindered arc.



**GLIDE**  
To glide is the act of moving from one point to another without shifting the feet, in a horizontal or vertical movement, in a seated, lying or standing position, letting gravity do the work.



**RULES PLAY**  
Rules play is motivated through play items that suggest games-with-rules, cooperation and team work, e.g. tic-tac-toe, timers or ball games.



**WONDER**  
To wonder is motivated through play items that make children need and use their logical, abstract or creative thinking skills, as well as their memory.