

Ship, small

KPL519



The KOMPAN Pirate Ship inspires and attracts play again and again. The strong theme inspires dramatic play, and the variation of climbing and sliding attracts play on end, again and again, year after year. The unit forms a strong play invitation with its well-selected play activities. In the keel there is a nice seat for meeting. On upper deck, a nice steering wheel

spurs dramatic play conversations, stimulating language and communication skills. A steel ladder leads to the elevated level, training children's muscles and cross-coordination as they climb. The cross-coordination is important in building up the cooperation of left and right brain halves, which supports reading skills. From the upper deck, the child can slide down,

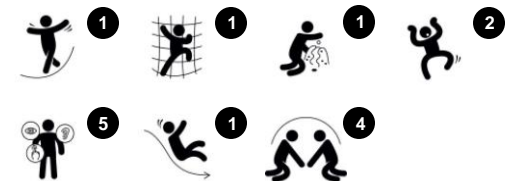
full speed. This trains the sense of balance and helps the child build up and understanding of space and measures.



Item no. KPL519-0901

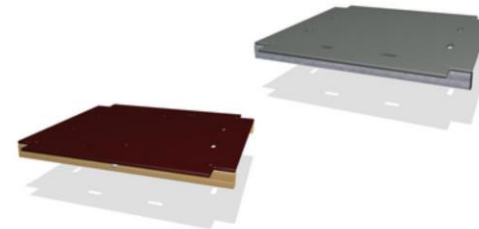
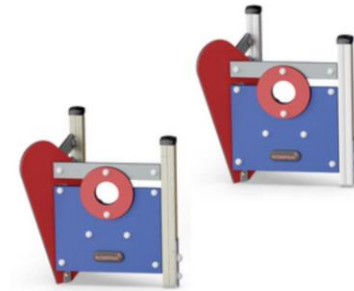
General Product Information

Dimensions LxWxH	263x306x292 cm
Age group	3+
Play capacity (users)	6
Colour options	



Ship, small

KPL519

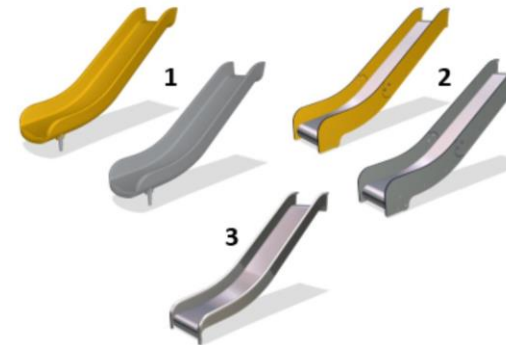
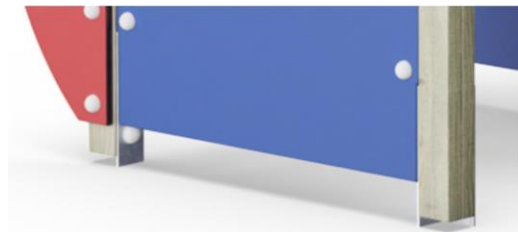


Panels of 19mm EcoCore™. EcoCore™ is a highly durable, eco friendly material, which is not only recyclable after use, but also consists of a core produced from 100% recycled material.

Posts are available in different materials: pressure impregnated pine wood posts. Pre-galvanised inside and outside with powder coated top finish steel posts.

Floors and panel activities are available in two types of material: Waterproof plywood decks thickness 21.5mm from pine and alder wood with anti-slip film on both sides. High Pressure Laminate HPL thickness 17.8mm with non skid surface texture according to EN 438-6.

Item no. KPL519-0901	
Installation Information	
Max. fall height	118 cm
Safety surfacing area	24,2 m ²
Numbers of installers (persons)	2
Total installation time	10.7
Excavation volume	0,09 m ³
Concrete volume	0,00 m ³
Footing depth (standard)	60 cm
Shipment weight	302 kg
Anchoring options	In-ground ✓ Surface ✓
Warranty Information	
EcoCore HDPE	Lifetime
Post	10 years
HPL decks	10 years
Ropes & nets	5 years
Spare parts guaranteed	10 years



The main posts are equipped with hot dip galvanised steel footings. The steel footings elevates the posts 20mm from ground level to avoid contact with surfacing material.

The steel surfaces are hot dip galvanised inside and outside with lead free zinc. The galvanisation has excellent corrosion resistance in outside environments and requires low maintenance.

Slides are available in three different materials: moulded on piece PE slides, Combined EcoCore™ sides and stainless steel slide bed t=2mm. Full stainless steel AISI304 t=2mm.

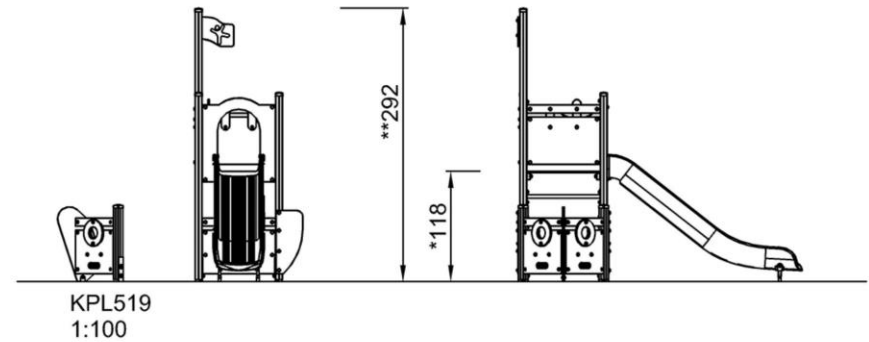
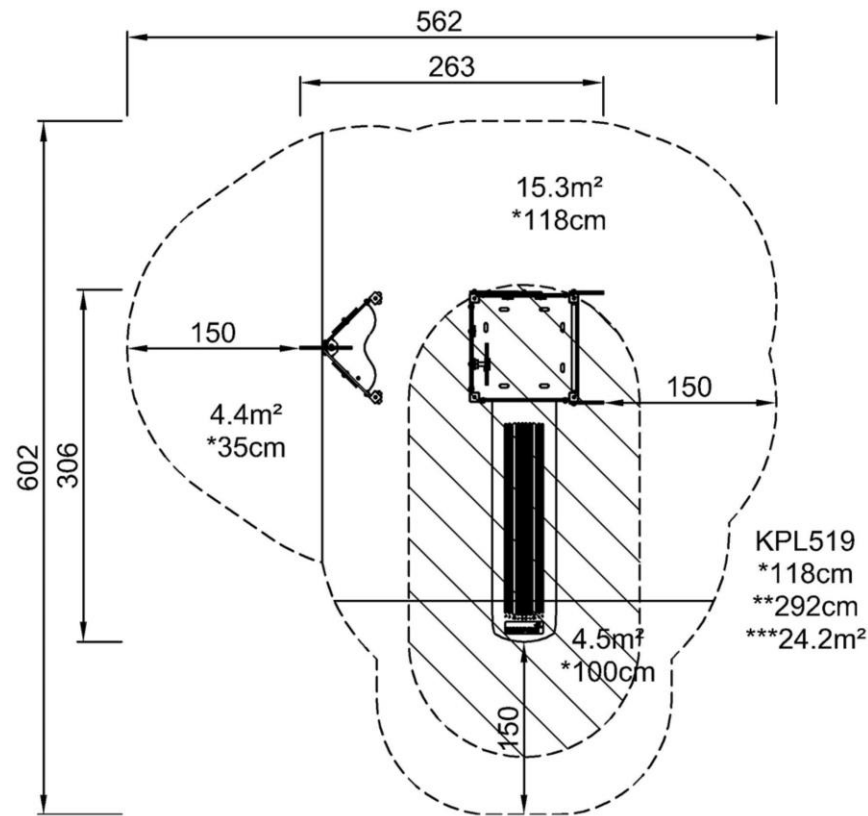


Ship, small

KPL519

* Max fall height | ** Total height | *** Safety surfacing area

* Max fall height | ** Total height



[Click to see 1:100 ratio TOP VIEW](#)

Ship, small

KPL519



Steering wheel

Cognitive: the manipulative steering wheel stimulates cause and effect understanding. It invites dramatic play which supports language and communication skills.



Ship

Cognitive: suggests a theme and supports dramatic play, which stimulates languages and communication skills.



Open space in front

Social-Emotional: the bench along the keel is a great space for meeting and exchanging.



Platform

Social-Emotional: the platform allows for more children to be together and share. Important life skills like courage, self-esteem, consideration and turn-taking are built.



Slide

Physical: sliding develops spatial awareness and sense of balance. Furthermore, the core muscles are trained when sitting upright going down.
Social-Emotional: empathy stimulated by turn-taking.
Cognitive: young children develop their understanding of space, speed and distances when sliding down fast.



Pipe ladder

Physical: cross-coordination and eye-hand coordination are developed when children climb the ladder. The climbing also supports leg and arm muscles.
Social-Emotional: social interaction when hanging out together, learning about turn taking and cooperation.



Ship, small

KPL519



PHYSICAL

Joy of movement:
motor skills, muscle, cardio
and bone density



SOCIAL-EMOTIONAL

Joy of being together:
teamwork, tolerance and
sense of belonging



COGNITIVE

Joy of learning:
curiosity, understanding of causal
relationships and knowledge of the world



CREATIVE

Joy of creating:
co-creation and experimenting
with materials



BALANCE

To balance is to stay upright when walking or standing on a surface that makes this challenging (e.g. a wobbly, inclined, or narrow surface).



HANG IN ARMS

To hang in arms is the act of carrying the body with the hands or arms, possibly to traverse to another platform or play item.



SENSORY

To sense is the act of taking in information with the sensory system: seeing, feeling, hearing or sensing with the body.



BOUNCE

To bounce is the act of bouncing on a responsive, flexible, elastic or tensile surface.



JUMP

To jump is the act of jumping up or down on a hard surface.



SLIDE

To slide is the act of moving fast downwards seated on a slide.



CLIMB

To climb is the act of moving upwards, cross-coordinating arms and legs, on a vertical or inclined surface or net.



PULL

To pull is the act of pulling an item towards you or you towards an item with one or both hands, or possibly using the entire body.



SOCIALIZE

To socialize is the act of meeting, communicating or cooperating in an activity that stimulates and facilitates social interaction.



CONSTRUCT

To construct is the act of creating new patterns, shifting items or materials to new positions or constructing with materials that can be transformed or manipulated.



PUSH

To push is the act of pushing an item away from you with one or both hands, possibly with the entire body.



SPIN

To spin involves a fast, repeated horizontal or vertical turn of the body on a piece of equipment that facilitates the movement.



CRAWL

To crawl is the movement of moving forwards or backwards, cross-coordinating arms and legs, on a horizontal or slightly inclined surface.



ROCK

To rock is the action of rocking back and forth, or sideways, on e.g. a piece of spring equipment.



SWAY

To sway is the movement of swaying back and forth, or around, lying, seated or possibly standing, in a pendulant or circular movement, e.g. on a hammock or on a rope.



DRAMATIC PLAY

Dramatic play is motivated through play items that stage a frame, place or environment for acting out make believe or role play scenarios.



ROTATE

To rotate involves a vertical or horizontal slower paced turn of the body, facilitated by a piece of equipment.



SWING

To swing is the movement of swinging back and forth, or in circular movement, seated, standing or lying, in an unhindered arc.



GLIDE

To glide is the act of moving from one point to another without shifting the feet, in a horizontal or vertical movement, in a seated, lying or standing position, letting gravity do the work.



RULES PLAY

Rules play is motivated through play items that suggest games-with-rules, cooperation and team work, e.g. tic-tac-toe, timers or ball games.



WONDER

To wonder is motivated through play items that make children need and use their logical, abstract or creative thinking skills, as well as their memory.