




Balance board

FSW231



Item no. FSW23100-0902

General Product Information

Dimensions LxWxH	87x89x200 cm
Age group	13+
Capacity (users)	1
Colour options	  



The reactive balance board resembles situations where the contact with the surface suddenly gets unstable. The Balance board mimics situations that occur in metros, buses or on slippery surfaces. It can be used on one or two feet with or without support, but for even more challenging exercises the signs on the high posts can be used. By alternatingly

touching the different symbols in a pre-defined pattern with right and left hand both full body balance, coordination and cognition can be challenged.



Balance board

FSW231



The HPL board is 586mm x586mm and can move 70mm in all directions. High-pressure laminate plates (HPL) have a moulded-in non-skid surface. HPL is a homogenous material with a very high wear resistance.



The connectors are made of die-cast aluminium, specially alloyed for the outdoor environments and heavy usage. The screws attaching the connectors are stainless steel and protected by zinc washers.



Post are made of Ø101.6 x 2mm, pre-galvanized carbon steel and powder coated, a great protection to all conditions.

Item no. FSW23100-0902

Installation Information

Max. fall height	12 cm
Safety surfacing area	12,8 m ²
Numbers of installers (persons)	2
Total installation time	4.8
Excavation volume	0,21 m ³
Concrete volume	0,10 m ³
Footing depth (standard)	90 cm
Shipment weight	119 kg
Anchoring options	In-ground ✓ Surface ✓

Warranty Information

EcoCore HDPE	Lifetime
Post	10 years
Bearing construction	5 years
Stainless steel components	10 years
Spare parts guaranteed	10 years



The information sign is made of a PA6 (Polyamide) and shows the most relevant exercise and a QR code. When scanned the QR code will link to an animated illustration of the exercise and offers the possibility of downloading the KOMPAN sport & fitness App, which will provide a large amount of exercises and workouts.



All KOMPAN fitness products are compliant with the ASTM F3101 & EN16630 Outdoor Fitness Standards. Load tests are performed as a static test by adding dynamic factors as well as safety factors to the specified load of 78kg per user. A product intended for 1 user is loaded with 420kg.



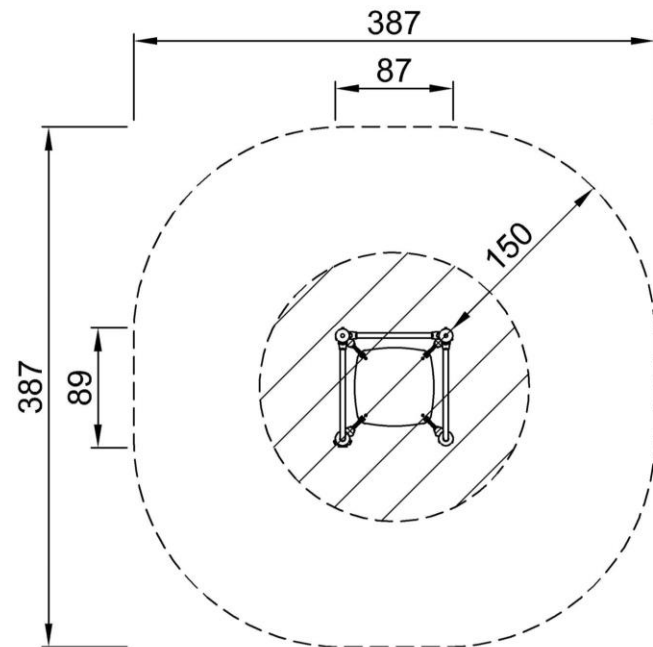
The balance board is connected to the posts with 506mm long stainless steel (AISI304) chains with 6mm links. The Swivels used are made of PUR coated sintered stainless steel with bronze bearings, providing a strong and smooth movement.

Balance board

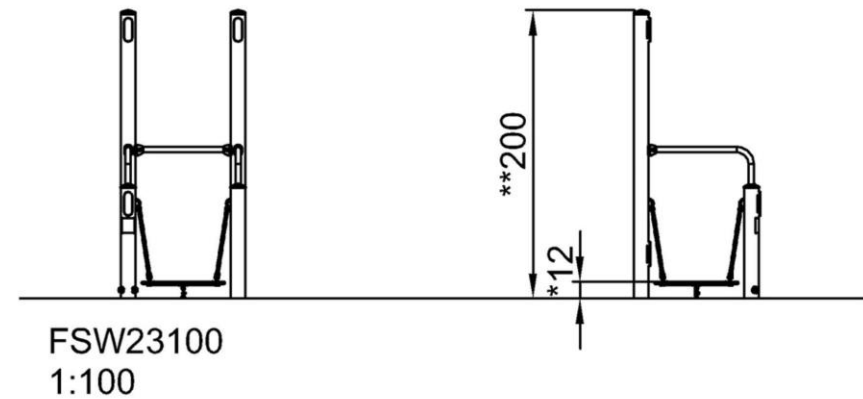
FSW231

* Max fall height | ** Total height | *** Safety surfacing area

* Max fall height | ** Total height



FSW23100
*12cm
**200cm
***12.8m²



[Click to see 1:100 ratio TOP VIEW](#)