

# MUGA, 13x21m, Low 1m, Steel

FRE600601

**KOMPAN**  
Let's play

Item no. FRE600601-0905

## General Product Information

Dimensions LxWxH	2123x1367x369 cm
Age group	3+
Capacity (users)	-
Colour options	-



The distance between the vertical tubes is small enough to keep small balls, such as field hockey balls, inside the pitch at all times. By embedding the tubes into the steel frame we have created an extremely vandalism proof structure that can be placed in any community. This transparent design makes it easy to follow the game for spectators. The 3 m x 2 m Multi

Goal follows the goal size of FIFA Futsal and IHF Handball regulations. The basketball hoop is placed at the official NBA height of 305 cm, and has the official NBA size of 46 cm in diameter.



# MUGA, 13x21m, Low 1m, Steel

FRE600601



The Ø21.3 mm x 2 mm tubes are embedded in the steel panel which avoids cracks and prevent the tubes from braking out of the steel frame. Creating an extremely strong, vandalism proof solution.



All steel components are manufactured from carbon steel, welding's according EN ISO 5817 & Hot dip galvanised (HDG) according to ISO1461. This process ensures good protection in all circumstances.



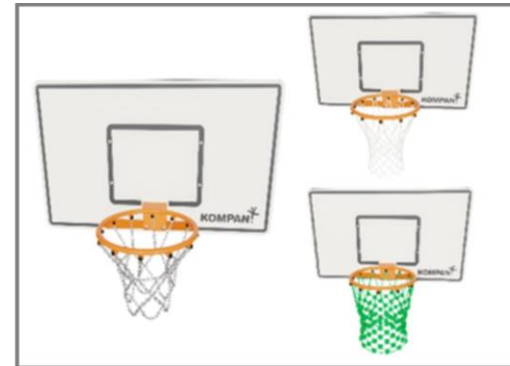
The posts are made of 80 x 80 x 3mm profile with horizontally, 6mm welded flanges. This will enable an easy installation and strong construction. The low-density polyethylene post caps are attached with blind rivets.



Each panel has 4 Thermoplastic Vulcanizates plugs connecting the panels to the posts. The plugs reduce the vibration and therefore reduce the noise level. The plugs will also simplify installation as the come with pre-assembled nuts.



The hinges on the entrance gate are 16mm and made of Stainless Steel, the handle can be accessed from both inside and outside of the pitch but is constructed in such a way that it remains fully flat on the inside of the MUGA.



3 choices of nets: Polyamide (PA), PA reinforced with a steel wire inside, stainless steel chains which meet the requirements in ISO1434-ISO1435 and DIN766.

Item no. FRE600601-0905	
Installation Information	
Max. fall height	0 cm
Safety surfacing area	0,0 m <sup>2</sup>
Numbers of installers (persons)	2
Total installation time	32.9
Excavation volume	2,59 m <sup>3</sup>
Concrete volume	2,27 m <sup>3</sup>
Footing depth (standard)	85 cm
Shipment weight	2.089 kg
Anchoring options	In-ground ✓ Surface ✓
Warranty Information	
HDG post	Lifetime
EcoCore HDPE	Lifetime
Spare parts guaranteed	10 years

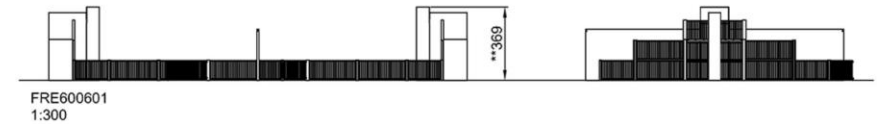
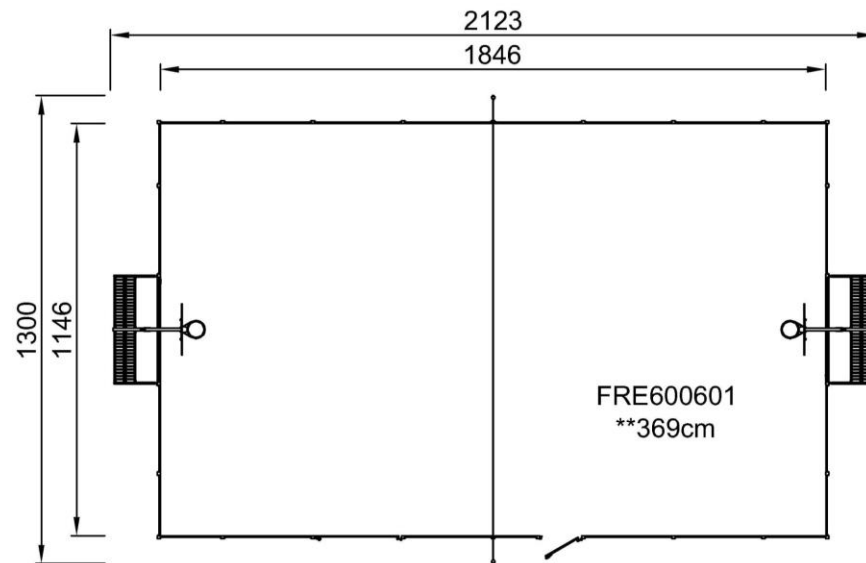


# MUGA, 13x21m, Low 1m, Steel

FRE600601

\* Max fall height | \*\* Total height | \*\*\* Safety surfacing area

\* Max fall height | \*\* Total height



[Click to see 1:100 ratio TOP VIEW](#)